

P R E F A C E

1. This parts catalog is the 1st edition of Yanmar crawler backhoe B25V - 1 for AMMANN YANMAR.

Pub. No. : 000Y00S3680

Published : Feb., 1998

2. Model name

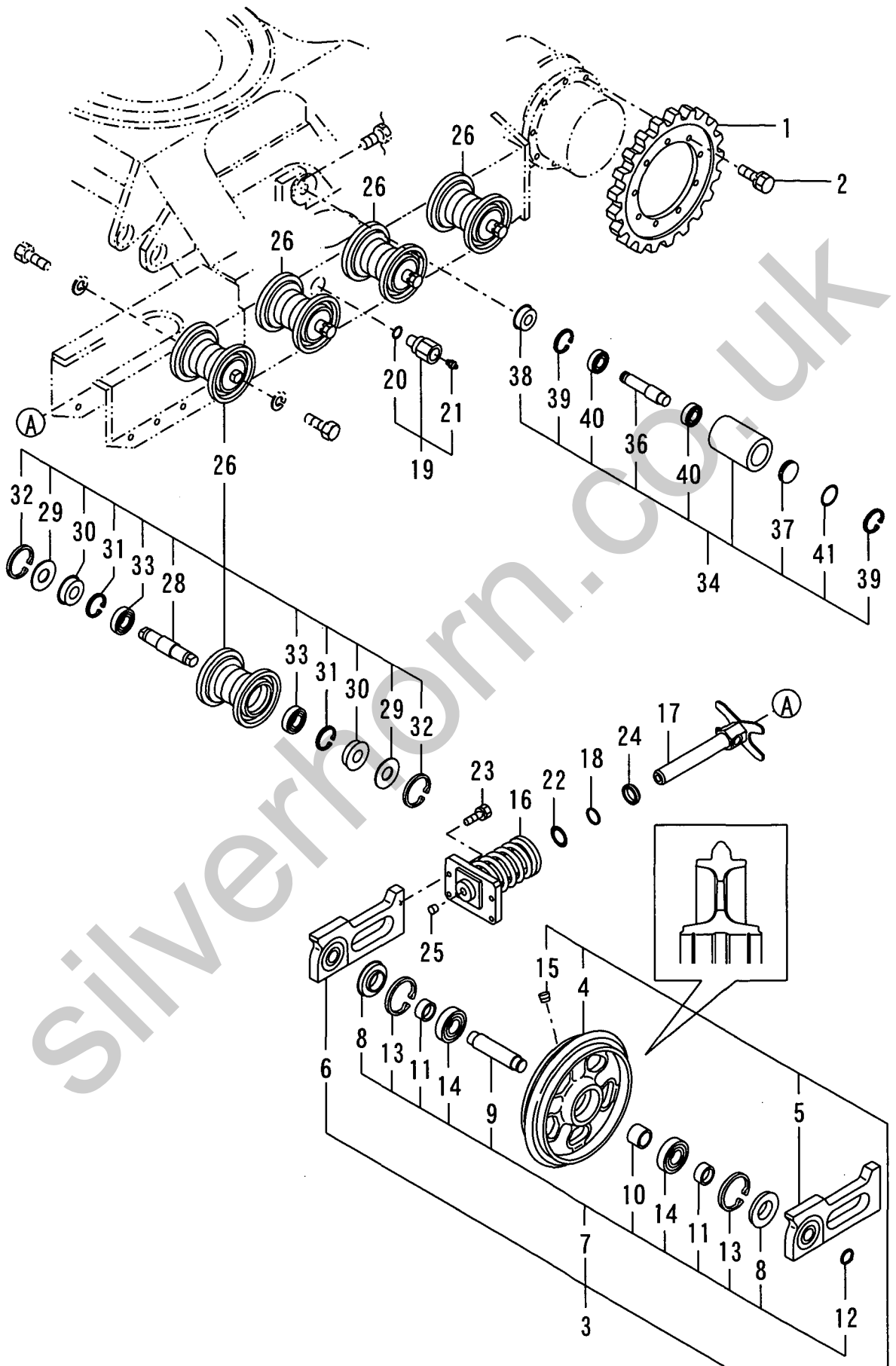
SECTION	Column	Fig. No.	Model name
I (Vehicle)	(A)	1 ~ 5	B25V - 1
II (Engine)	(A)	1 ~ 17	3TNE78A - B1A

3. Your understanding is asking that this parts catalog is not a technical data manual setting forth as servicing procedures, This parts catalog is using simplified illustration. Be sure to use Yanmar Genuine Parts in your maintenance servicing of Yanmar products. Be careful not to use the simple parts available in the market ; otherwise their use in repairing causes such as an early breakage, for instance.

1,1,,172141-29110,,SPROCKET,2,,,,,,,,,,,,,
 2,1,,26013-120302,, "BOLT W/WASHER M12X30",18,,,,,,,,,,,,,
 3,1,,772422-37100,, "IDLER 289",2,,,,,,,,,,,,,
 4,2,,172422-37100,, IDLER,2,,,,,,,,,,,,,
 5,2,,172141-37111,, "FORK(L), IDLER",2,,,,,,,,,,,,,
 6,2,,172141-37121,, "FORK(R), IDLER",2,,,,,,,,,,,,,
 7,2,,172175-99490,, "IDLER KIT, FRONT",2,,,,,,,,,,,,,
 8,3,,172164-37120,, "SEAL 45 85 8.5 19",4,,,,,,,,,,,,,
 9,3,,172175-37130,, "SHAFT, IDLE",2,,,,,,,,,,,,,
 10,3,,172631-37150,, "COLLER 35X45X34",2,,,,,,,,,,,,,
 11,3,,172631-37160,, "COLLER 35X45X22.5",4,,,,,,,,,,,,,
 12,3,,22242-000300,, "CIRCLIP 30",2,,,,,,,,,,,,,
 13,3,,22252-000800,, "CIRCLIP 80",4,,,,,,,,,,,,,
 14,3,,24101-063074,, BEARING,4,,,,,,,,,,,,,
 15,2,,194630-42120,, "PLUG PT1/8",2,,,,,,,,,,,,,
 16,1,,172146-37700,, SPRING,2,,,,,,,,,,,,,
 17,1,,172141-37801,, "PISTON, ADJUST",2,,,,,,,,,,,,,
 18,1,,172141-37850,, "RING G35, BACK UP",2,,,,,,,,,,,,,
 19,1,,172122-37843,, "VALVE ASSY, NIPPLE",2,,,,,,,,,,,,,
 20,2,,24315-000140,, "O-RING 1B P-14.0",2,,,,,,,,,,,,,
 21,2,,24761-020000,, "NIPPLE PT1/8,GREASE",2,,,,,,,,,,,,,
 22,1,,24325-000350,, "PACKING G 35.0",2,,,,,,,,,,,,,
 23,1,,26013-100402,, "BOLT M10X 40",8,,,,,,,,,,,,,
 24,1,,933126-34300,, "SEAL 3547710",2,,,,,,,,,,,,,
 25,1,,933171-13691,, "PLUG PT1/8",2,,,,,,,,,,,,,
 26,1,,172441-37301,, "ROLLER ASSY, TRACK",8,,,,,,,,,,,,,
 28,2,,172422-37310,, SHAFT,8,,,,,,,,,,,,,
 29,2,,172141-37320,, "SPACER 75X2.6",16,,,,,,,,,,,,,
 30,2,,1A1030-48250,, "SEAL QLF30621218,OIL",16,,,,,,,,,,,,,
 31,2,,22252-000620,, "CIRCLIP 62(H)",16,,,,,,,,,,,,,
 32,2,,22252-000750,, "CIRCLIP 75",16,,,,,,,,,,,,,
 33,2,,933111-73800,, BEARING,16,,,,,,,,,,,,,
 34,1,,172441-37500,, "ROLLER ASSY, CARIA",2,,,,,,,,,,,,,
 36,2,,172146-37510,, "SHAFT, CARIA ROLLER",2,,,,,,,,,,,,,
 37,2,,172116-37540,, "COVER, BLIND",2,,,,,,,,,,,,,
 38,2,,1E6140-73420,, "SEAL QLF255218, OIL",2,,,,,,,,,,,,,
 39,2,,22252-000520,, "CIRCLIP 52",4,,,,,,,,,,,,,
 40,2,,24101-062054,, "BEARING #6205",4,,,,,,,,,,,,,
 41,2,,24311-000460,, "O-RING 1A P-46.0",2,,,,,,,,,,,,,



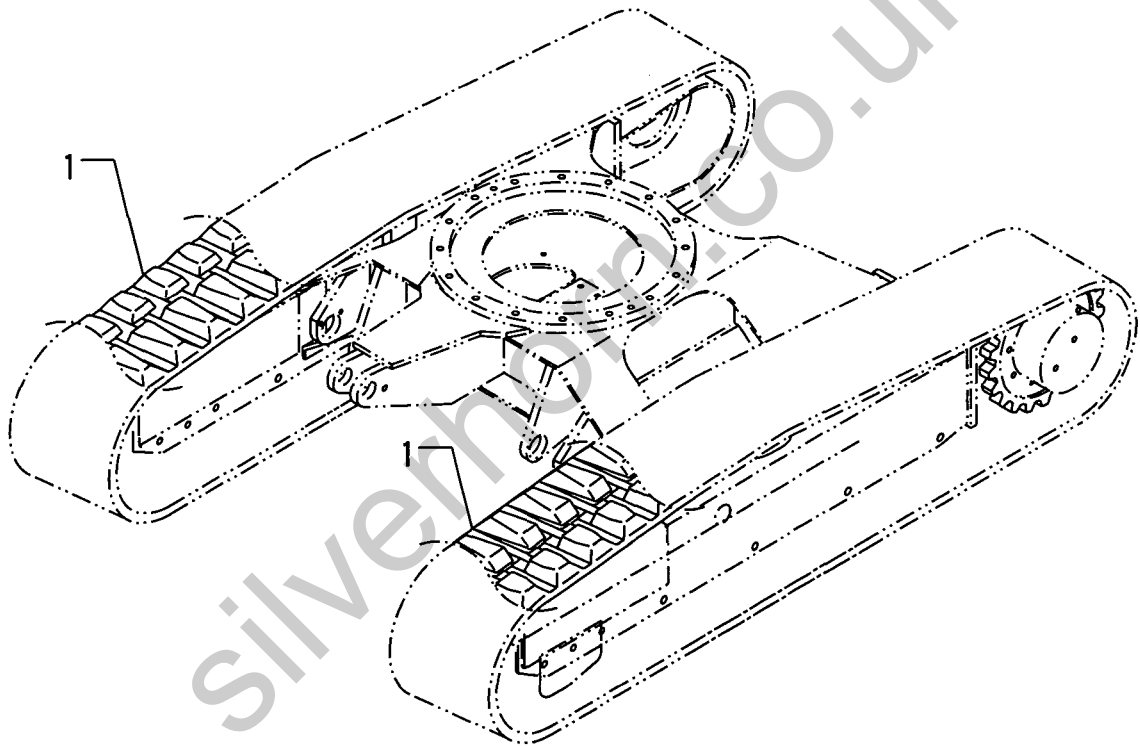
Fig. 1 ROLLER & ADJUST



1,1,,172441-38600,, "CRAWLER, RUBBER", 2,,,,,,,,,,,,,,,,,,,,,

Silverhorn.CO.UK

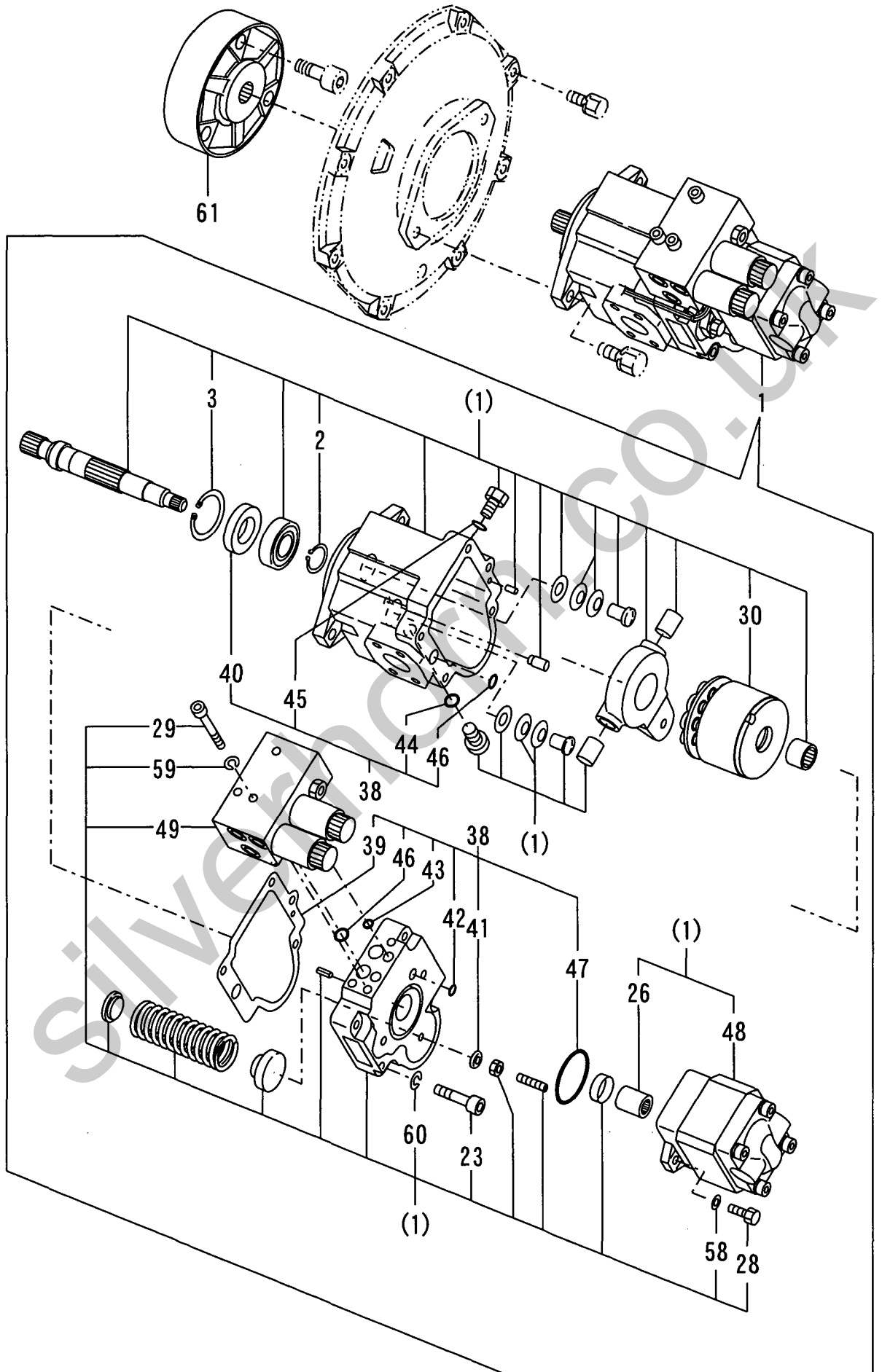
Fig. 2 CRAWLER



1,1,,172441-73100,, "PUMP ASSY",1,,,,,,,,,,,,,,,,,,,,,
2,2,,22252-000250,, "CIRCLIP 25",1,,,,,,,,,,,,,,,,,,,,,
3,2,,22252-000520,, "CIRCLIP 52",1,,,,,,,,,,,,,,,,,,,,,
23,2,,172422-73540,, BOLT,5,,,,,,,,,,,,,,,,,,,,,
26,2,,172422-73580,, COUPLING,1,,,,,,,,,,,,,,,,,,,,,
28,2,,172422-73600,, BOLT,2,,,,,,,,,,,,,,,,,,,,,
29,2,,172422-73610,, BOLT,3,,,,,,,,,,,,,,,,,,,,,
30,2,,172422-73680,, "VALEL KIT",1,,,,,,,,,,,,,,,,,,,,,
38,2,,172422-73700,, "SEAL KIT",1,,,,,,,,,,,,,,,,,,,,,
39,3,,172422-73170,, GASKET,1,,,,,,,,,,,,,,,,,,,,,
40,3,,172422-73510,, OILSEAL,1,,,,,,,,,,,,,,,,,,,,,
41,3,,172422-73570,, WASHER,1,,,,,,,,,,,,,,,,,,,,,
42,3,,24315-000070,, "O-RING 1B P-7.0",1,,,,,,,,,,,,,,,,,,,,,
43,3,,24315-000080,, "O-RING 1B P-8.0",2,,,,,,,,,,,,,,,,,,,,,
44,3,,24315-000110,, "O-RING 1B P-11.0",1,,,,,,,,,,,,,,,,,,,,,
45,3,,24315-000110,, "O-RING 1B P-11.0",1,,,,,,,,,,,,,,,,,,,,,
46,3,,24315-000120,, "O-RING 1B P-12.0",3,,,,,,,,,,,,,,,,,,,,,
47,3,,24325-000550,, "O-RING 1B G-55.0",1,,,,,,,,,,,,,,,,,,,,,
48,2,,172441-73110,, "PUMP, GEAR",1,,,,,,,,,,,,,,,,,,,,,
49,2,,172422-73721,, "VALVE BLOCK ASSY",1,,,,,,,,,,,,,,,,,,,,,
58,2,,22133-080000,, "WASHER 8",2,,,,,,,,,,,,,,,,,,,,,
59,2,,22212-080000,, "WASHER 8",3,,,,,,,,,,,,,,,,,,,,,
60,2,,22212-100000,, "WASHER 10",5,,,,,,,,,,,,,,,,,,,,,
61,1,,172165-71200,, COUPLING,1,,,,,,,,,,,,,,,,,,,,,

Silverhorn.CO.UK

Fig. 3 HYD. OIL PUMP & JOINT



1,1,,172441-74100,, "VALVE, CONTROL",1,,,,,,,,,,,,,,,,,,,,,
2,2,,172422-74110,, NUT,6,,,,,,,,,,,,,,,,,,,,,,,,,,,,,
3,2,,172422-74120,, "ROD, TIE",3,,,,,,,,,,,,,,,,,,,,,,,,,
4,2,,172422-74130,, "OUTLET SECTION",1,,,,,,,,,,,,,,,,,,,,,
6,2,,172422-74630,, "SECTION, BUCKET",1,,,,,,,,,,,,,,,,,,,,,
7,3,,172187-74130,, "VALVE, ANTI-VOIDE",1,,,,,,,,,,,,,,,,,,,,,
8,4,,172116-74150,, O-RING,1,,,,,,,,,,,,,,,,,,,,,,,,,,,,,
9,3,,172422-74150,, "SECTION, SPOOL",1,,,,,,,,,,,,,,,,,,,,,
16,4,,172422-74220,, O-RING,2,,,,,,,,,,,,,,,,,,,,,,,,,,,,,
20,4,,24321-000550,, "O-RING 1A G-55.0",1,,,,,,,,,,,,,,,,,,,,,
21,3,,172422-74570,, VALVE,1,,,,,,,,,,,,,,,,,,,,,,,,,,,,,
22,4,,172116-74150,, O-RING,1,,,,,,,,,,,,,,,,,,,,,,,,,,,,,
23,4,,24315-000100,, "O-RING 1B P-10.0",1,,,,,,,,,,,,,,,,,,,,,
24,2,,172441-74110,, "SECTION, BOOM",1,,,,,,,,,,,,,,,,,,,,,
25,3,,172411-74130,, "SECTION, SPOOL",1,,,,,,,,,,,,M,,,,,,,,,,,,I
25-1,3,,172441-74130,, "SECTION, SPOOL",1,,,,,,,,,,,,I
32,4,,172422-74220,, O-RING,2,,,,,,,,,,,,,,,,,,,,,,,,,,,,,
37,4,,172422-74280,, O-RING,1,,,,,,,,,,,,,,,,,,,,,,,,,,,,,
38,4,,172422-74290,, PLUG,1,,,,,,,,,,,,,,,,,,,,,,,,,,,,,I
44,4,,172116-74430,, O-RING,1,,,,,,,,,,,,,,,,,,,,,,,,,,,,,
46,4,,24315-000110,, "O-RING 1B P-11.0",1,,,,,,,,,,,,,,,,,,,,,
49,4,,172187-74690,, PLUG,1,,,,,,,,,,,,,,,,,,,,,,,,,,,,,I
50,4,,172312-74770,, O-RING,1,,,,,,,,,,,,,,,,,,,,,,,,,,,,,
51,4,,24321-000550,, "O-RING 1A G-55.0",1,,,,,,,,,,,,,,,,,,,,,
52,3,,172422-74570,, VALVE,1,,,,,,,,,,,,,,,,,,,,,,,,,,,,,
53,4,,172116-74150,, O-RING,1,,,,,,,,,,,,,,,,,,,,,,,,,,,,,
54,4,,24315-000100,, "O-RING 1B P-10.0",1,,,,,,,,,,,,,,,,,,,,,
55,3,,172441-74120,, "VALVE 210/20,RELIEF",1,,,,,,,,,,,,,,,,,,,,,
56,4,,172116-74150,, O-RING,1,,,,,,,,,,,,,,,,,,,,,,,,,,,,,
57,4,,24315-000100,, "O-RING 1B P-10.0",1,,,,,,,,,,,,,,,,,,,,,
58,2,,172441-74140,, "SECTION, SPOOL",1,,,,,,,,,,,,,,,,,,,,,
65,3,,172614-74290,, WIPER,2,,,,,,,,,,,,,,,,,,,,,,,,,,,,,
69,3,,172422-74370,, O-RING,2,,,,,,,,,,,,,,,,,,,,,,,,,,,,,
71,3,,24321-000550,, "O-RING 1A G-55.0",1,,,,,,,,,,,,,,,,,,,,,
72,2,,172441-74150,, "SECTION, INLET",1,,,,,,,,,,,,,,,,,,,,,
73,3,,172441-74160,, "VALVE 185/31,RELIEF",2,,,,,,,,,,,,,,,,,,,,,
74,4,,172116-74150,, O-RING,2,,,,,,,,,,,,,,,,,,,,,,,,,,,,,
75,3,,172422-74380,, "INLET SECTION",1,,,,,,,,,,,,,,,,,,,,,
79,4,,172422-74220,, O-RING,2,,,,,,,,,,,,,,,,,,,,,,,,,,,,,
83,4,,24321-000550,, "O-RING 1A G-55.0",2,,,,,,,,,,,,,,,,,,,,,
84,2,,172441-74170,, "SECTION, SPOOL",1,,,,,,,,,,,,,,,,,,,,,
90,3,,172614-74290,, WIPER,2,,,,,,,,,,,,,,,,,,,,,,,,,,,,,
93,3,,172422-74370,, O-RING,2,,,,,,,,,,,,,,,,,,,,,,,,,,,,,
95,3,,24321-000550,, "O-RING 1A G-55.0",1,,,,,,,,,,,,,,,,,,,,,
96,2,,172441-74180,, "SECTION, SWING",1,,,,,,,,,,,,,,,,,,,,,
97,3,,172441-74190,, "SECTION, SPOOL",1,,,,,,,,,,,,,,,,,,,,,
106,4,,172614-74290,, WIPER,2,,,,,,,,,,,,,,,,,,,,,,,,,,,,,
109,4,,172422-74370,, O-RING,2,,,,,,,,,,,,,,,,,,,,,,,,,,,,,
111,4,,24321-000550,, "O-RING 1A G-55.0",1,,,,,,,,,,,,,,,,,,,,,
112,3,,172187-74130,, "VALVE, ANTI-VOIDE",1,,,,,,,,,,,,,,,,,,,,,
113,4,,172116-74150,, O-RING,1,,,,,,,,,,,,,,,,,,,,,,,,,,,,,
114,3,,172441-74120,, "VALVE 210/20,RELIEF",1,,,,,,,,,,,,,,,,,,,,,
115,4,,172116-74150,, O-RING,1,,,,,,,,,,,,,,,,,,,,,,,,,,,,,
116,4,,24315-000100,, "O-RING 1B P-10.0",1,,,,,,,,,,,,,,,,,,,,,

Fig. 4 CONTROL VALVE (1/2)

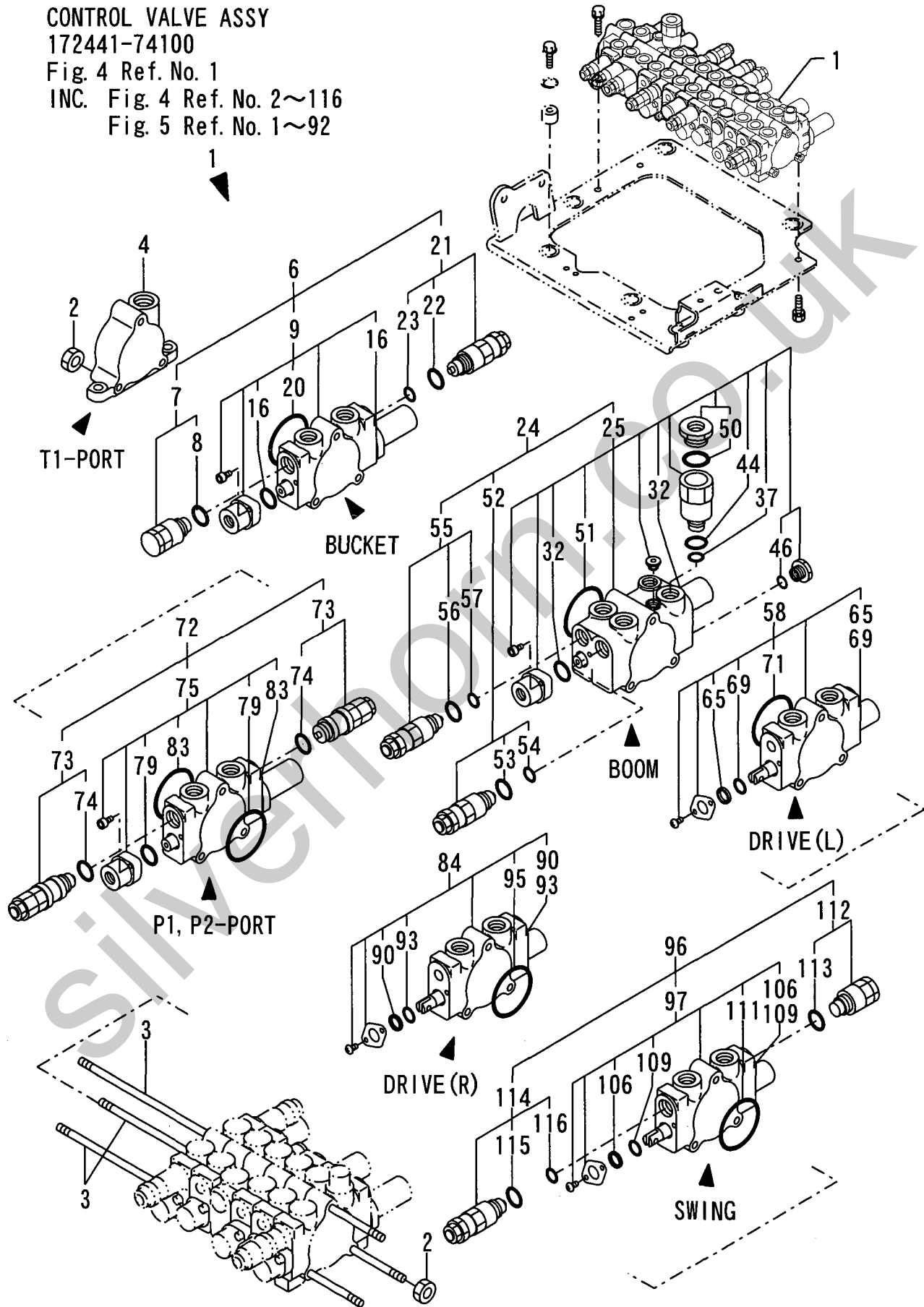
CONTROL VALVE ASSY

172441-74100

Fig. 4 Ref. No. 1

INC. Fig. 4 Ref. No. 2~116

Fig. 5 Ref. No. 1~92



1,2,,172441-74200,, "SECTION, ARM",1,,,,,,,,,,,,,,,,,,,,,
2,3,,172441-74220,, "SECTION, SPOOL",1,,,,,,,,,,,,,,,,,,,,,
9,4,,24321-000550,, "O-RING 1A G-55.0",1,,,,,,,,,,,,,,,,,,,,,
10,4,,172422-74220,, O-RING,2,,,,,,,,,,,,,,,,,,,,,
13,3,,172422-74570,, VALVE,1,,,,,,,,,,,,,,,,,,,,,
14,4,,172116-74150,, O-RING,1,,,,,,,,,,,,,,,,,,,,,
15,4,,24315-000100,, "O-RING 1B P-10.0",1,,,,,,,,,,,,,,,,,,,,,
16,3,,172441-74210,, "VALVE 220/20,RELIEF",1,,,,,,,,,,,,,,,,,,,,,
17,4,,172116-74150,, O-RING,1,,,,,,,,,,,,,,,,,,,,,
18,4,,24315-000100,, "O-RING 1B P-10.0",1,,,,,,,,,,,,,,,,,,,,,
19,2,,172441-74230,, "SECTION, P.T.O.",1,,,,,,,,,,,,,,,,,,,,,
20,3,,172422-74450,, "SECTION, SPOOL",1,,,,,,,,,,,,,,,,,,,,,
28,4,,172614-74290,, WIPER,2,,,,,,,,,,,,,,,,,,,,,
31,4,,172422-74370,, O-RING,2,,,,,,,,,,,,,,,,,,,,,
34,4,,24321-000550,, "O-RING 1A G-55.0",1,,,,,,,,,,,,,,,,,,,,,
35,3,,172146-74720,, "VALVE ASSY, SHUT-OFF",2,,,,,,,,,,,,,,,,,,,,,
36,4,,172116-74150,, O-RING,2,,,,,,,,,,,,,,,,,,,,,
37,4,,24311-240100,, "O-RING 1A P-10A",2,,,,,,,,,,,,,,,,,,,,,
38,2,,172422-74470,, "SPACER, SECTION",1,,,,,,,,,,,,,,,,,,,,,
45,3,,24315-000140,, "O-RING 1B P-14.0",1,,,,,,,,,,,,,,,,,,,,,
46,3,,24315-000180,, "O-RING 1B P-18.0",2,,,,,,,,,,,,,,,,,,,,,
47,2,,172441-74240,, "SECTION, SPOOL",1,,,,,,,,,,,,,,,,,,,,,
54,3,,172422-74220,, O-RING,2,,,,,,,,,,,,,,,,,,,,,
58,3,,24321-000550,, "O-RING 1A G-55.0",1,,,,,,,,,,,,,,,,,,,,,
59,2,,172422-74700,, "SECTION, BLADE",1,,,,,,,,,,,,,,,,,,,,,
60,3,,172422-74520,, "SECTION, SPOOL",1,,,,,,,,,,,,,,,,,,,,,
68,4,,172614-74290,, WIPER,2,,,,,,,,,,,,,,,,,,,,,
71,4,,172422-74370,, O-RING,2,,,,,,,,,,,,,,,,,,,,,
74,4,,24321-000550,, "O-RING 1A G-55.0",1,,,,,,,,,,,,,,,,,,,,,
75,3,,172422-74590,, VALVE,1,,,,,,,,,,,,,,,,,,,,,
76,4,,172422-74620,, "SEAL KIT",1,,,,,,,,,,,,,,,,,,,,,
77,2,,172441-74250,, "SECTION, CONTROL",1,,,,,,,,,,,,,,,,,,,,,
78,3,,172422-74530,, "SECTION, SPOOL",1,,,,,,,,,,,,,,,,,,,,,
82,4,,172422-74220,, O-RING,2,,,,,,,,,,,,,,,,,,,,,
87,4,,24315-000110,, "O-RING 1B P-11.0",1,,,,,,,,,,,,,,,,,,,,,
90,4,,24321-000550,, "O-RING 1A G-55.0",1,,,,,,,,,,,,,,,,,,,,,
91,3,,172441-74160,, "VALVE 185/31,RELIEF",1,,,,,,,,,,,,,,,,,,,,,
92,4,,172116-74150,, O-RING,1,,,,,,,,,,,,,,,,,,,,,



Fig. 5 CONTROL VALVE (2/2)

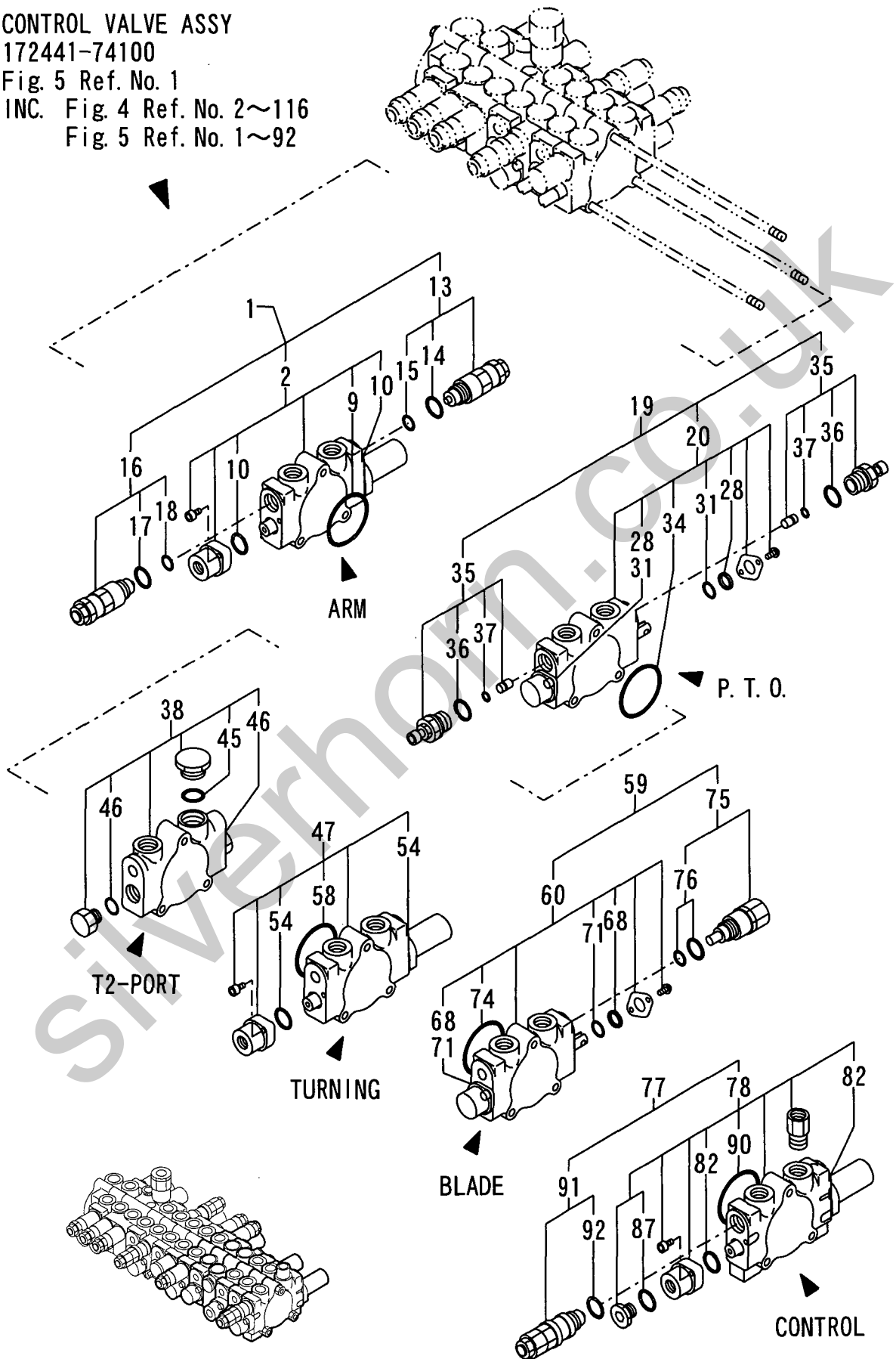
CONTROL VALVE ASSY

172441-74100

Fig. 5 Ref. No. 1

INC. Fig. 4 Ref. No. 2~116

Fig. 5 Ref. No. 1~92



Y00S3680,"Construction equipment",Excavator,B
[Info]
PcNo=Y00S3680
PcName=B25V-1(EP)(B6040)
JpnUse=0
JpnSec1=
JpnSec2=
JpnSec3=
JpnPreface=0
EngUse=1
EngSec1=CONSTRUCTION
EngSec2=EXCAVATOR (B)
EngSec3=B
EngPreface=1

Silverhorn.CO.UK

0,Y00S3680
1,001,, "VEHICLE B25V-1(AY)"
2,1,, "ROLLER & ADJUST",B25V-1(EP),,,
2,2,,CRAWLER,B25V-1(EP),,,
2,3,, "HYD.OIL PUMP & JOINT",B25V-1(EP),,,
2,4,, "CONTOROL VALVE(1/2)",B25V-1(EP),,,
2,5,, "CONTOROL VALVE(2/2)",B25V-1(EP),,,

Silverhorn.CO.UK